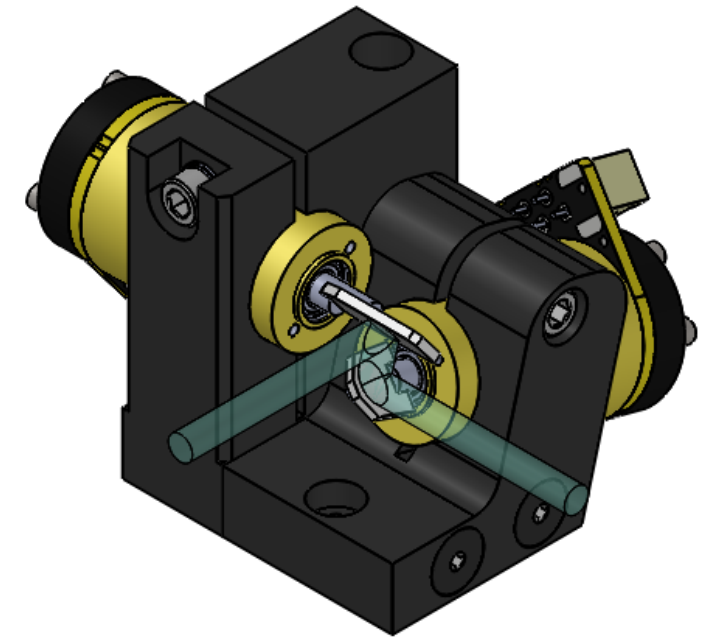
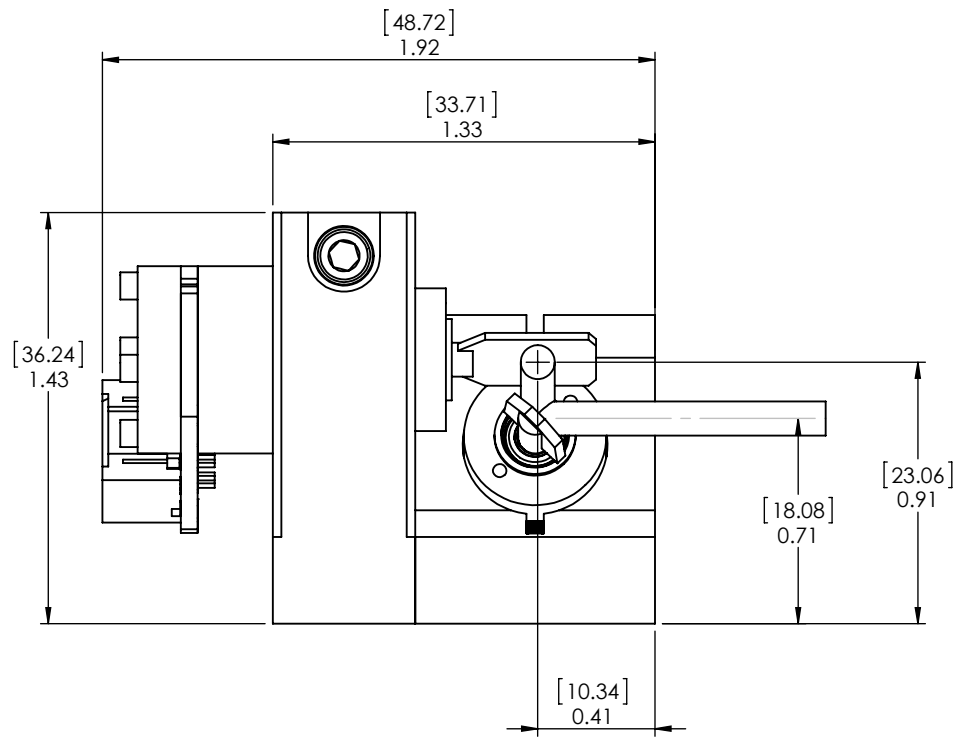
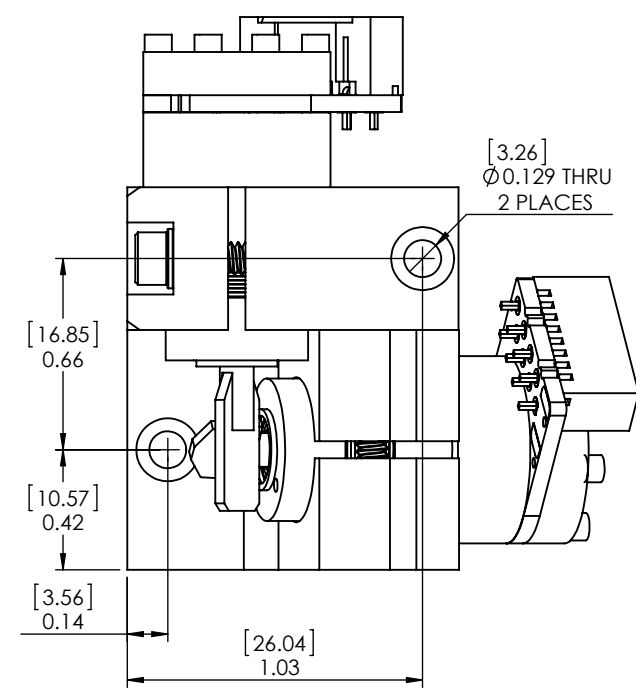


**BEAM SHOWN WITH SCANNER
IN CENTER POSITION**

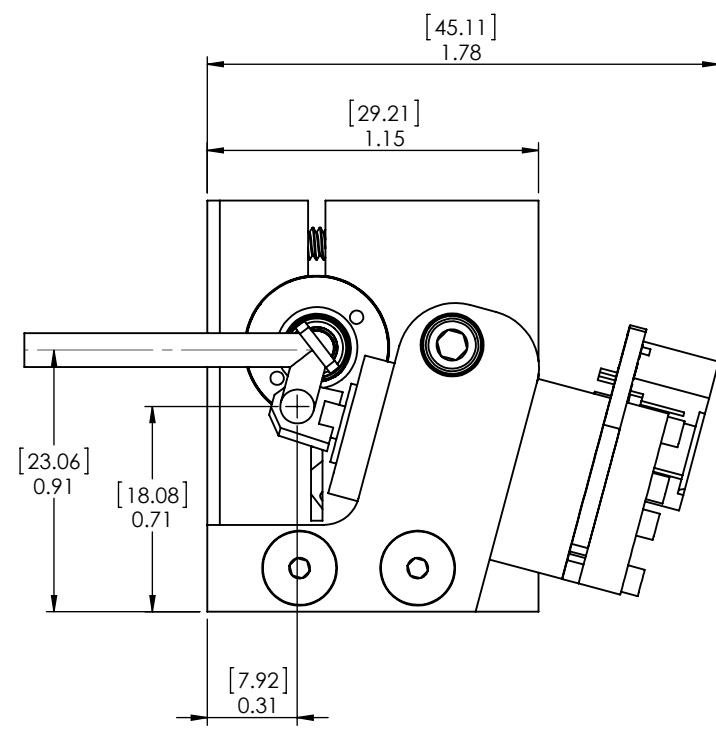
3mm ROUND BEAM SHOWN



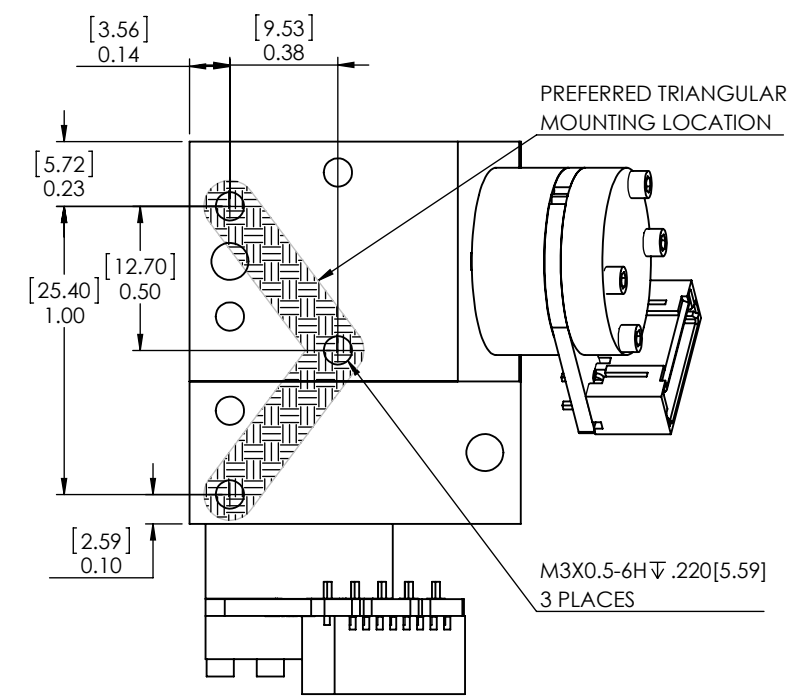
TOP VIEW



3MM BEAM OUTPUT



3MM BEAM INPUT



BOTTOM VIEW

Mount Type	Beam Size	Horizontal Scan Angle	Vertical Scan Angle
X-Y Mount (with 15 degree setback)	3mm	60 Degrees	60 Degrees

		DO NOT SCALE DRAWING		REVISION
		Pangolin Laser Systems, Inc.		
NAME		DATE		TITLE:
DRAWN R. Smith		Tuesday, August 11, 2015		COMPACT 506 3mm XY Mount, RH Entry, 60 Degrees Optical
DIMENSIONS ARE IN INCHES[mm]				
MATERIAL:		VARIOUS		DWG NO. C506_30_XY_RH
WEIGHT:				A3
				SHEET 1 OF 1

