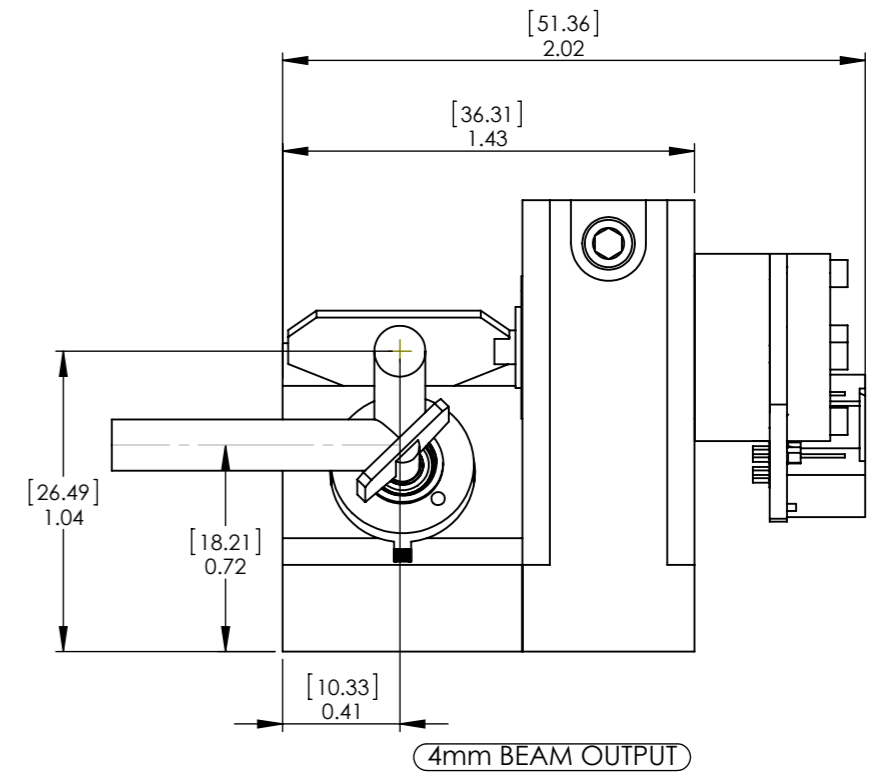
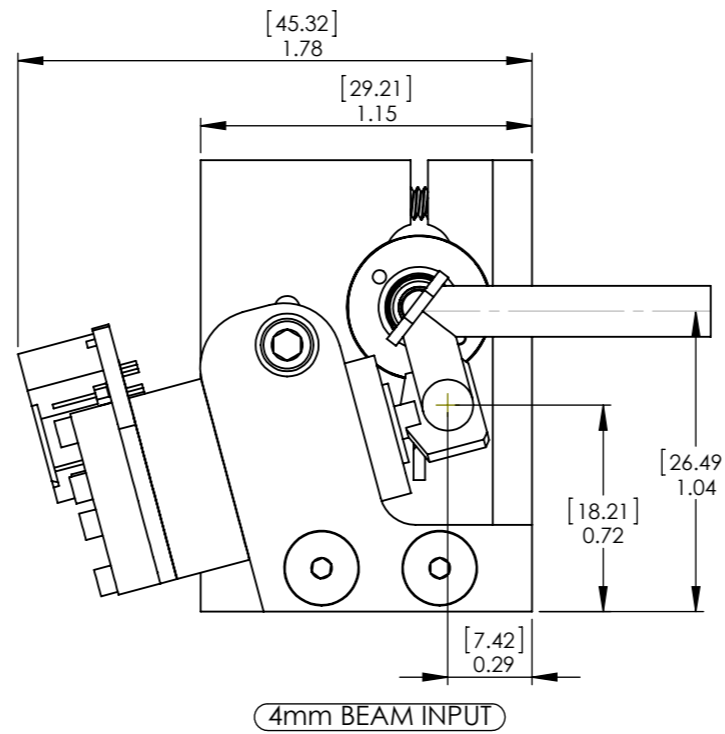
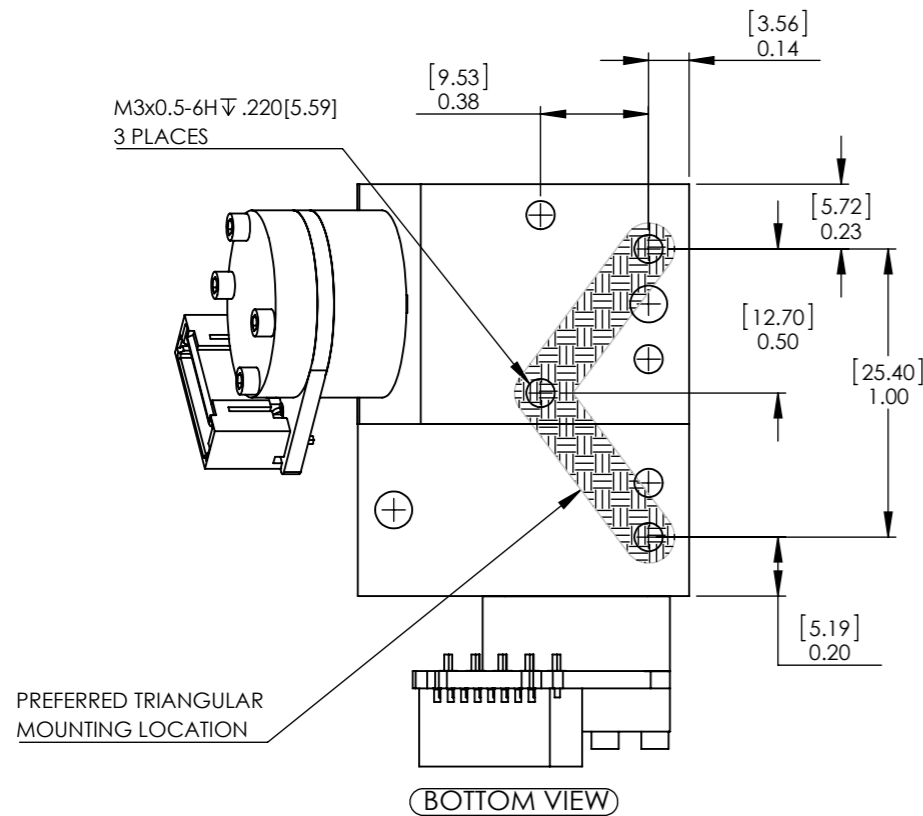
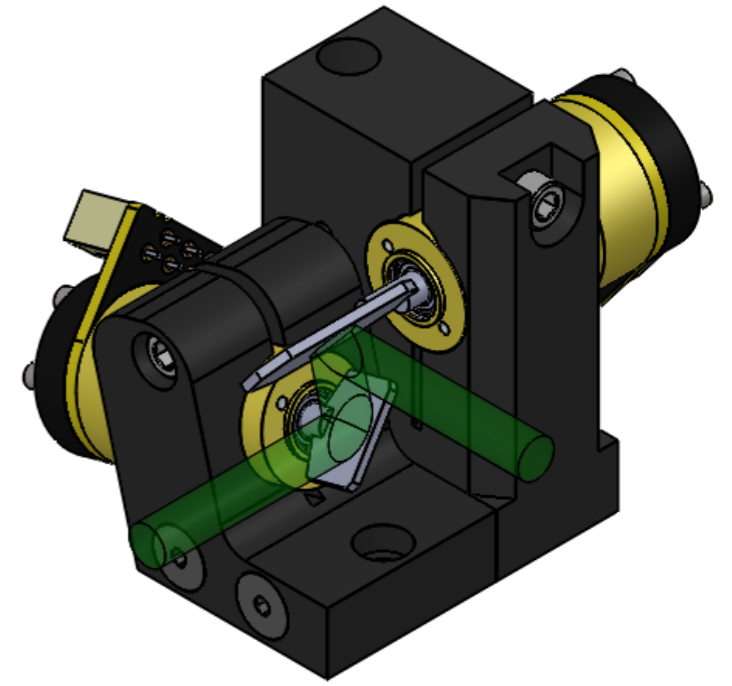
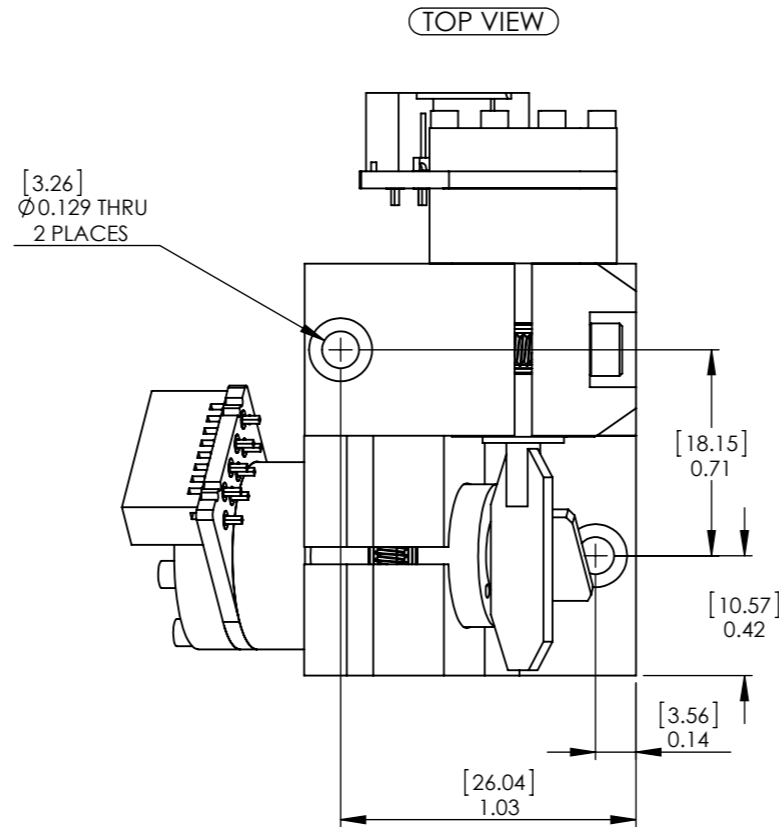



**BEAM SHOWN WITH SCANNER
IN CENTER POSITION**

4.5mm ROUND BEAM SHOWN



Mount Type	Beam Size	Horizontal Scan Angle	Vertical Scan Angle
X-Y Mount (with 15* setback)	4mm	60 Degrees	70 Degrees
	4.5mm	60 Degrees	60 Degrees
	5mm	60 Degrees	40 Degrees
	5mm (square)	40 Degrees	40 Degrees

		DO NOT SCALE DRAWING		REVISION
		Pangolin Laser Systems, Inc.		
NAME	DATE	TITLE:		COMPACT 506 4.5MM XY MOUNT LH
DRAWN R. Smith	Wednesday, August 12, 2015			
DIMENSIONS ARE IN INCHES[mm]				
MATERIAL:	VARIOUS		DWG NO.	C506_45_XY_LH
WEIGHT:			SCALE:1:1	A3
			SHEET 1 OF 1	

