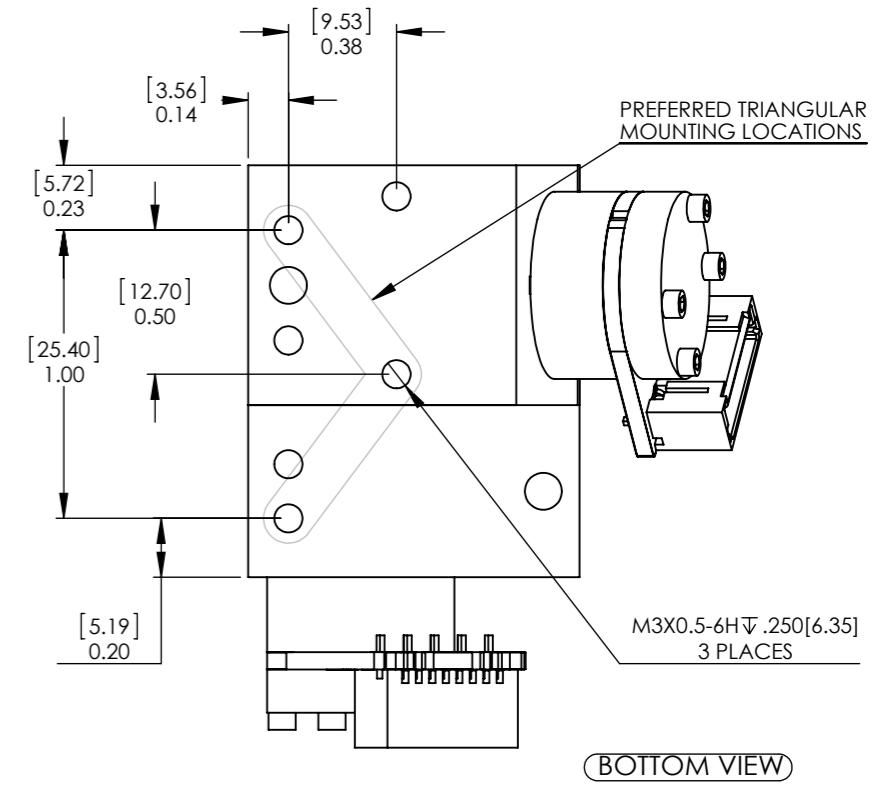
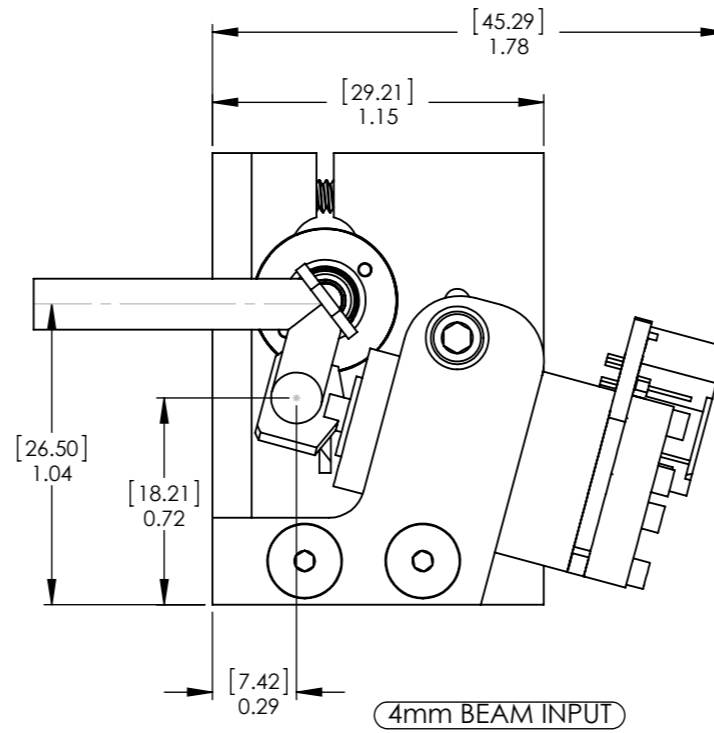
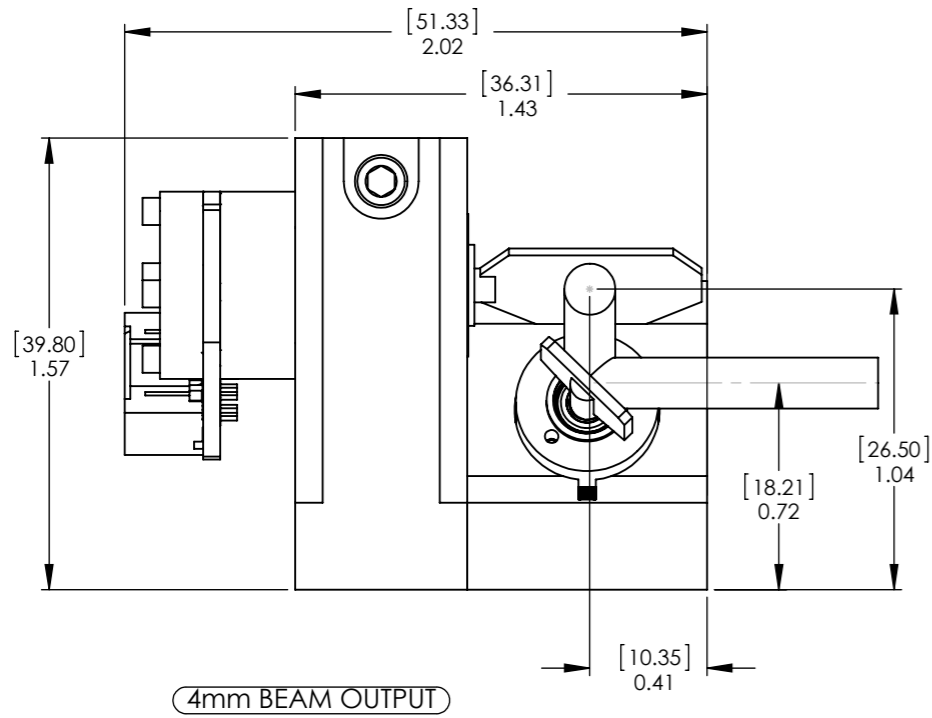
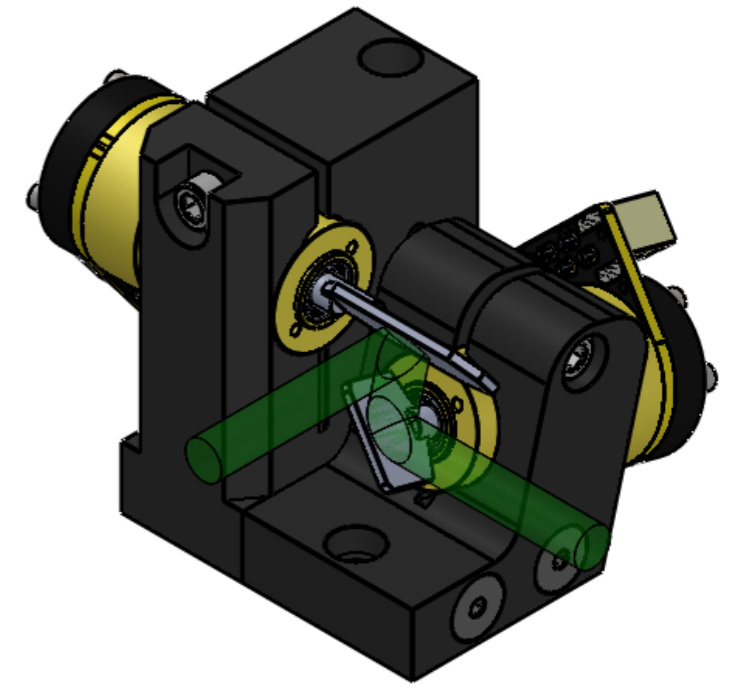
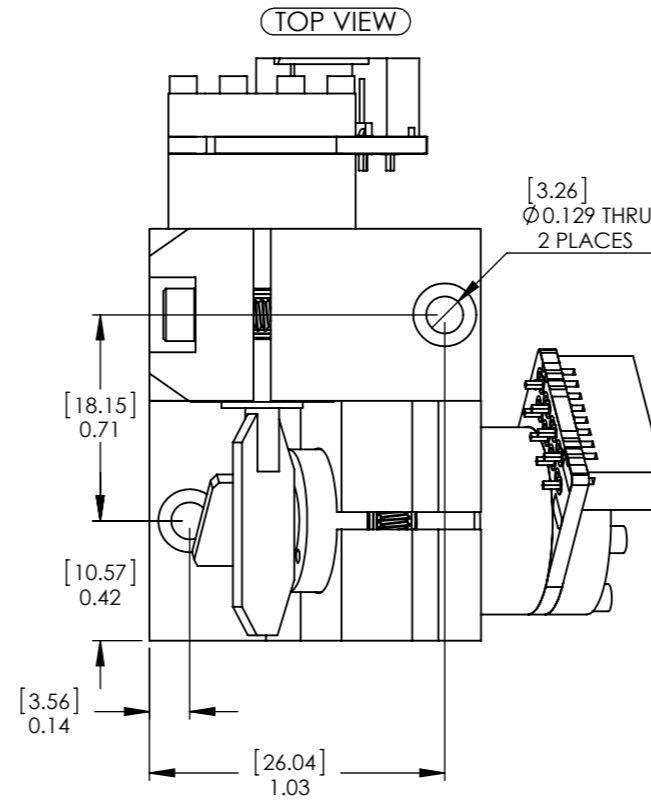


# BEAM SHOWN WITH SCANNER IN CENTER POSITION

## 4.5mm ROUND BEAM SHOWN



Mount Type	Beam Size	Horizontal Scan Angle	Vertical Scan Angle
X-Y Mount (with 15* setback)	4mm	60 Degrees	70 Degrees
	4.5mm	60 Degrees	60 Degrees
	5mm	60 Degrees	40 Degrees
	5mm (square)	40 Degrees	40 Degrees

		DO NOT SCALE DRAWING		REVISION
		<b>Pangolin Laser Systems, Inc.</b>		
NAME	DATE	TITLE:		
DRAWN R. Smith	Monday, August 17, 2015	<b>COMPACT 506 4.5MM XY MOUNT RH</b>		
DIMENSIONS ARE IN INCHES [mm]				
MATERIAL:	VARIOUS	DWG NO.	C506_45_XY_Mount	A3
WEIGHT:		SHEET 1 OF 1		

